



# 2.4GHz 12dBi Outdoor Omni-directional Antenna

MODEL: TL-ANT2412D

## Features

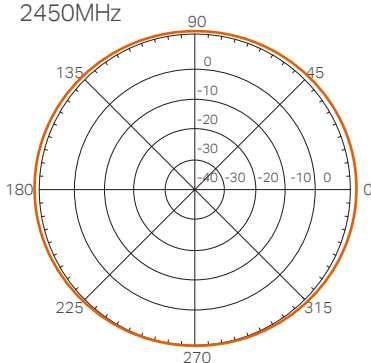
- 12dBi Omni-directional operation highly enlarges the wireless coverage
- N female connector, compatible with most of the wireless equipments
- Weather proof design, suitable for all weather condition
- Provided mounting kits enable easy installation for various environments

## Description

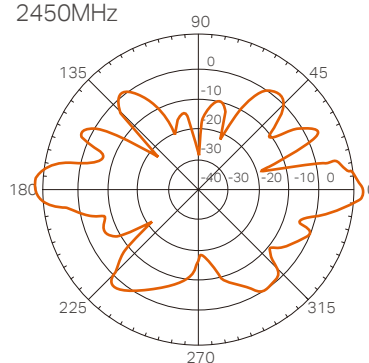
TL-ANT2412D operates in the 2.4-2.5 GHz band and provides 12dBi Omni-directional operation, which largely extends the wireless range and delivers much better wireless performance. The antenna offers the N female connector guaranteeing wider compatibility with most of the wireless equipments. Also, the weather proof design ensures that it can work normally for various demanding outdoor solutions.

## Radiation Patterns

H-Plane Co-Polarization Pattern  
2450MHz



V-Plane Co-Polarization Pattern  
2450MHz

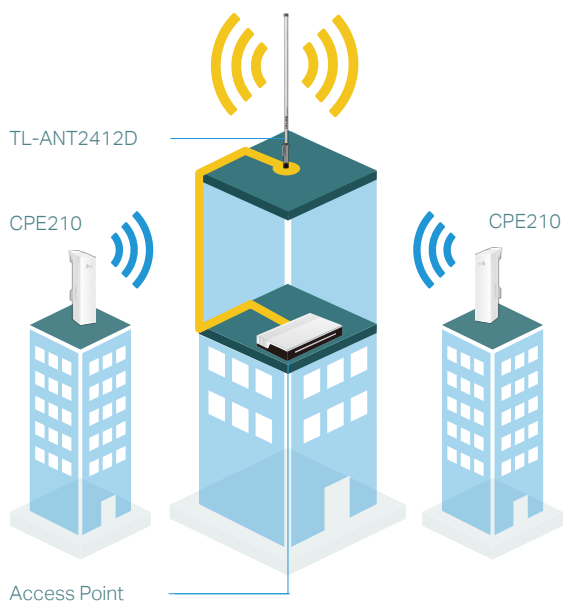


# Specifications

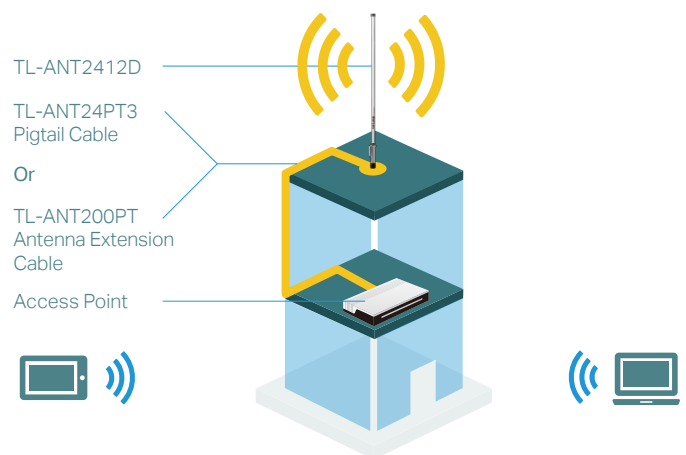
Frequency Range	2.4GHz~2.5GHz
S.W.R.	<= 2.0
Antenna Gain	12 dBi
Polarization	Linear
Impedance	50 Ohms
Application	Outdoor
HBBW @ H-Plane	360 Degree Omni-Directional
HPBW @ E-Plane	<= 12 Degree
Material of Radiator	Cu & Zn-Alloy
Material of Plastic Body	Glass Fiber
Connector Type	N Jack
Operation Temperature	- 40 °C ~ + 65 °C
Standards	RoHS, WEEE

# Diagram

## Point to Multi-Point Application(PTMP)



## Wi-Fi Coverage Application



## Package

- 12Bi Outdoor Omni-directional Antenna
- Installation mounting kits
- User Guide

## Related Products

- 2.4GHz 150Mbps Outdoor Wireless Access Point TL-WA7210N
- 150Mbps Wireless N Access Point TL-WA701ND

[www.tp-link.com](http://www.tp-link.com)

Specifications are subject to change without notice. TP-Link is a registered trademark of TP-Link Technologies Co., Ltd. Other brands and product names are trademarks or registered trademarks of their respective holders. Copyright © 2018 TP-Link Technologies Co., Ltd. All rights reserved.