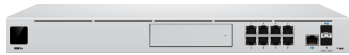




Package Contents



UniFi Dream Machine Pro



Rack-Mount Brackets (Qty. 2)



Bracket Screws (Qty. 8)



Mounting Screws (Qty. 4)



Cage Nuts (Qty. 4)



Security Screw



2.5" HDD Screws (Qty. 4)



Power Cord



Rubber Feet (Qty. 4)

System Requirement

Either of the following is required:

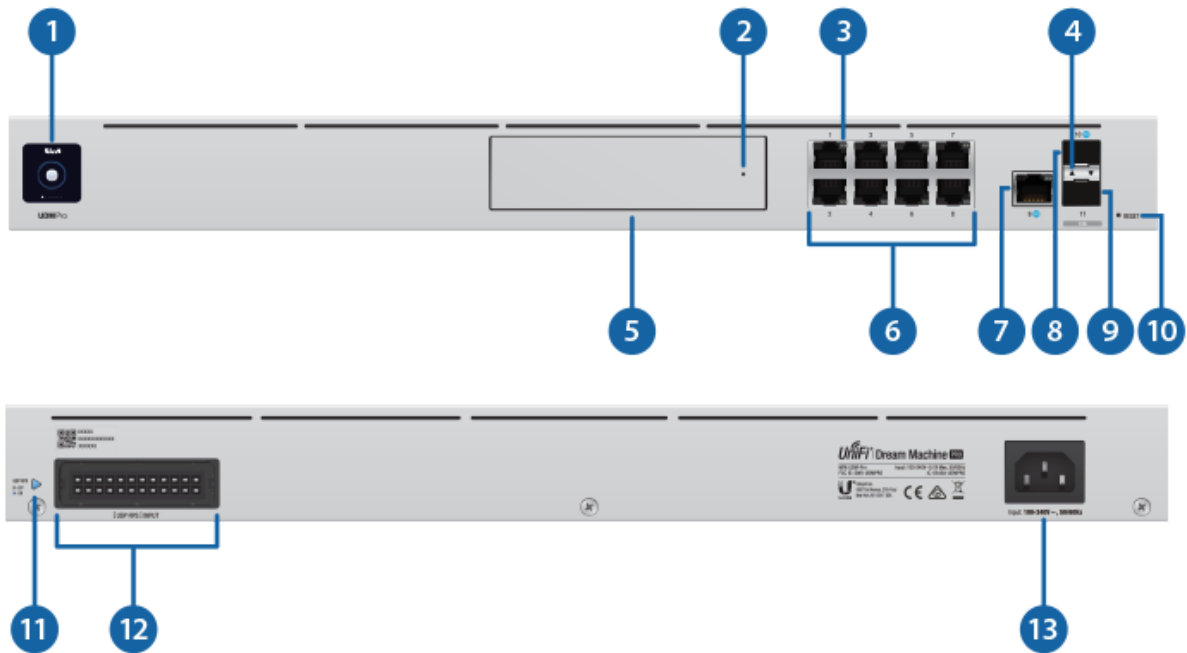
- iOS or Android™ Mobile Device with UniFi Network App Installed
- Web Browser: Google Chrome (Other browsers may have limited functionality)



IMPORTANT: We strongly recommend using UPS backup and power regulation to prevent equipment damage due to stability issues with local AC power.



UDM-Pro Quick Start Guide



1 Touchscreen Display

Bootup Animation

Initializing.

Location Animation

This indicates that you clicked Locate in the UniFi Controller software. The software will also display the location of the device on the map.

2 HDD LED

Flashing White

Indicates Read/Write Activity

Steady Amber

Indicates HDD Error

3 RJ-45 Speed/Link/Activity LED (Ports 1 - 9)

Off

No Link

Amber

Link Established at 10/100 Mbps
Flashing Indicates Activity

Green

Link Established at 1 Gbps
Flashing Indicates Activity

4 SFP+ Speed/Link/Activity LED (Ports 10 - 11)

Off

No Link

Green

Link Established at 1 Gbps



White	Link Established at 10 Gbps Flashing Indicates Activity
5 HDD Bay	
Install a 3.5" or 2.5" HDD (not included) to use the device as an NVR for UniFi Protect.	
6 RJ45 LAN (Ports 1 - 8)	
The RJ45 ports support 10/100/1000 Ethernet connections. By default, they are set to DHCP Server with the fallback IP address, 192.168.1.1/24.	
7 RJ45 Internet (Port 9)	
The RJ45 port supports a 10/100/1000 Ethernet connection. Set to DHCP Client by default.	
8 SFP+ Internet (Port 10)	
The SFP+ port supports a 1/10G Ethernet connection. Set to DHCP Client by default.	
9 SFP+ LAN (Port 11)	
The SFP+ port supports a 1/10G Ethernet connection. By default, it is set to DHCP Server with the fallback IP address, 192.168.1.1/24.	
10 Reset Button	
Resets to factory defaults. The device should be running after bootup is complete. Press and hold the Reset button for about 10 seconds until the display indicates that the device has reset itself. After a few seconds, the LED will turn off, and the device will automatically reboot.	
11 USP RPS LED	
Reserved for future use.	
12 USP Connect DC Input	
Reserved for future use.	
13 Power Port	
Connect the included Power Cord to the Power port.	

Installation Requirements

UDM-Pro Quick Start Guide

- Standard sized, 1U wide rack with a minimum of 10 height available
- For indoor applications, use Category 5 (or above) UTP cabling approved for indoor use.
- For outdoor applications, shielded Category 5 (or above) cabling should be used for all wired Ethernet connections and should be grounded through the AC ground of the power supply.

We recommend that you protect your networks from harmful outdoor environments and destructive ESD events with industrial-grade, shielded Ethernet cable from Ubiquiti. For more details, visit: ui.com/toughcable

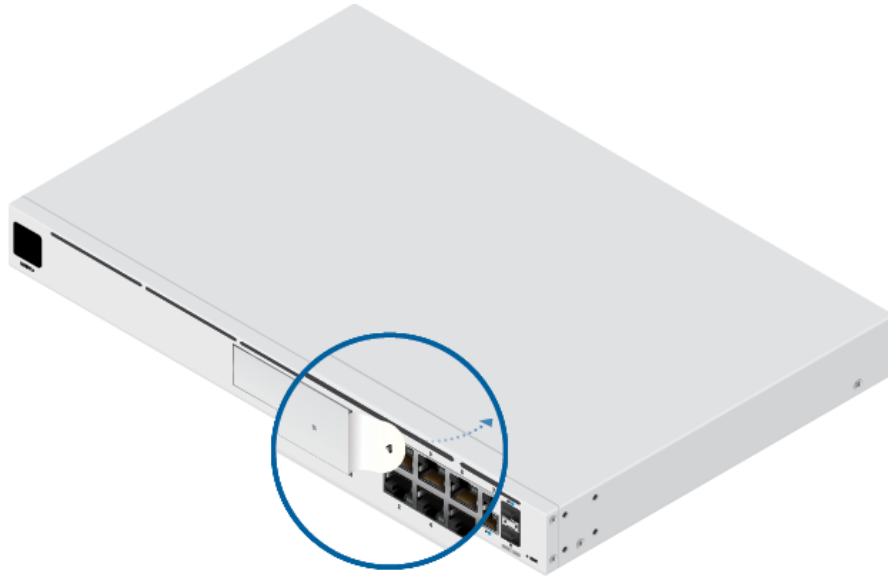


Note: Although the cabling can be located outdoors, the UDM-Pro itself should be housed inside a protective enclosure.

Installing an HDD

Ensure the device is powered off before you install the 3.5" or 2.5" HDD (not included).

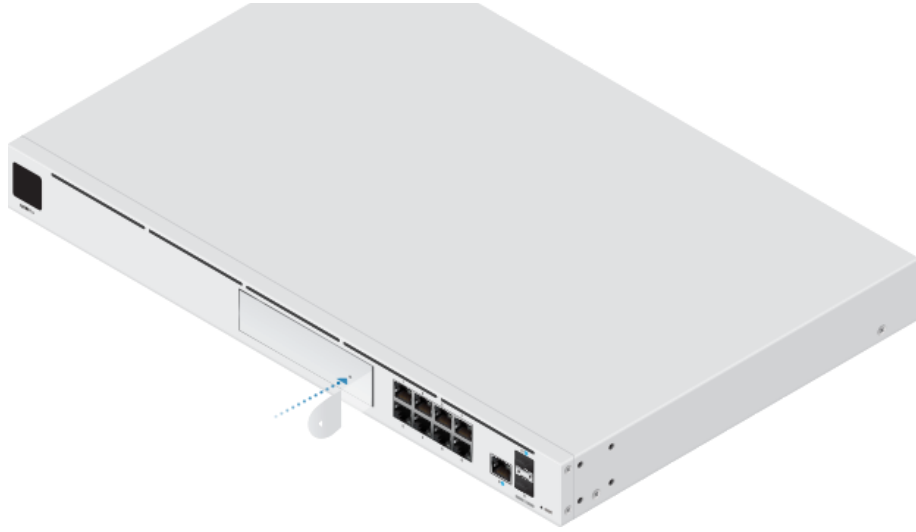
1.



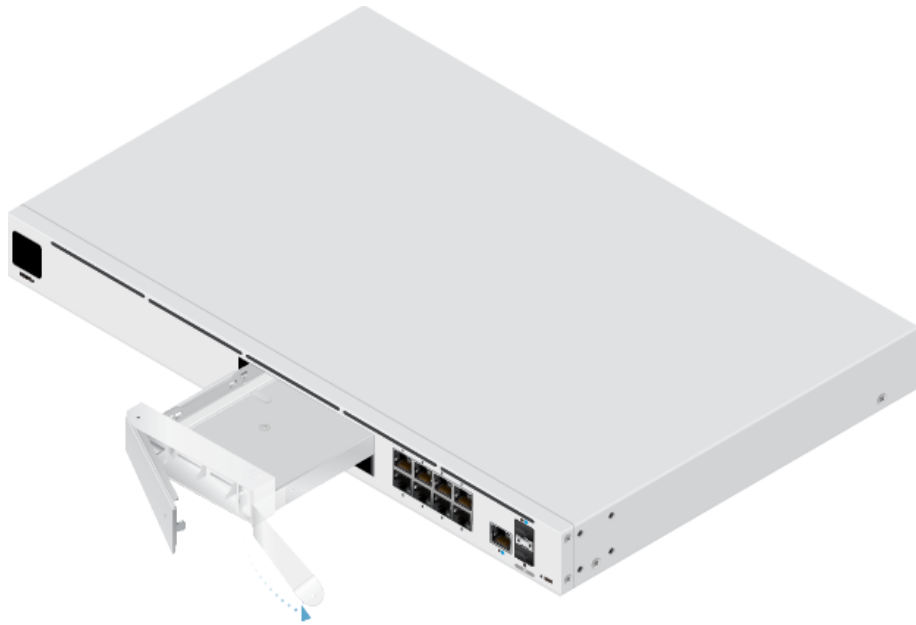
2.



UDM-Pro Quick Start Guide



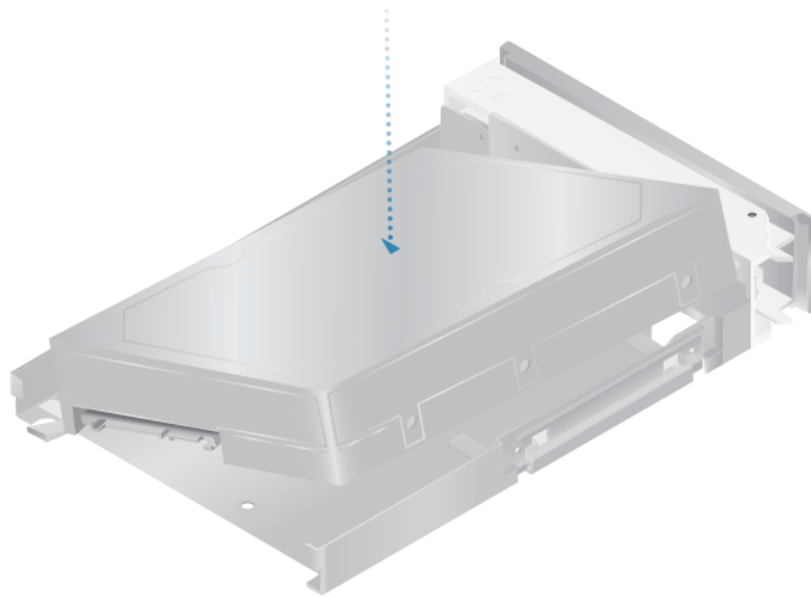
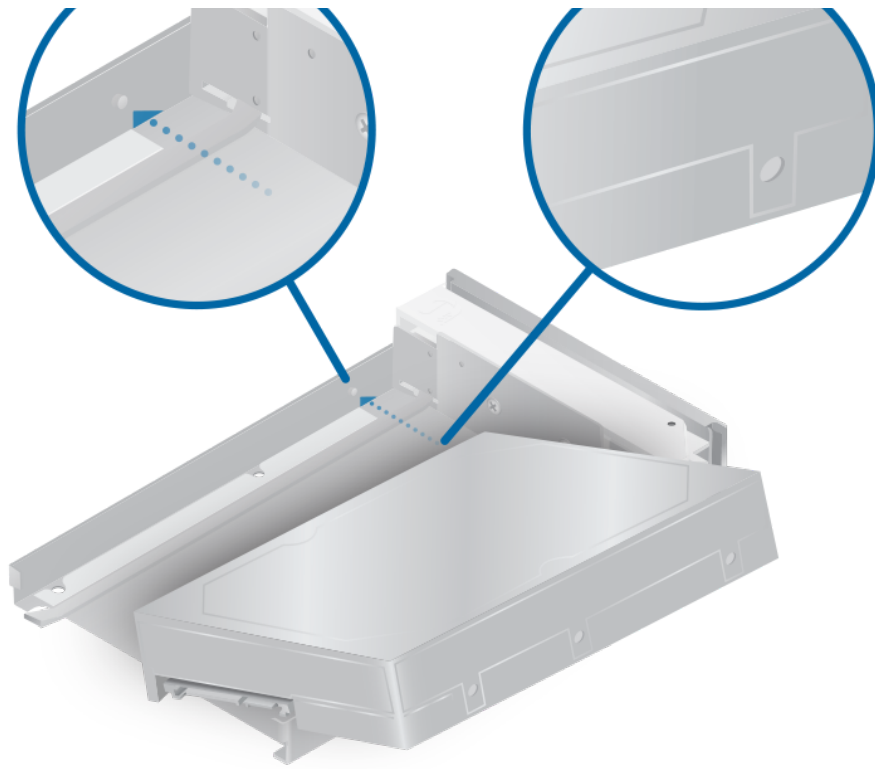
3.



4.

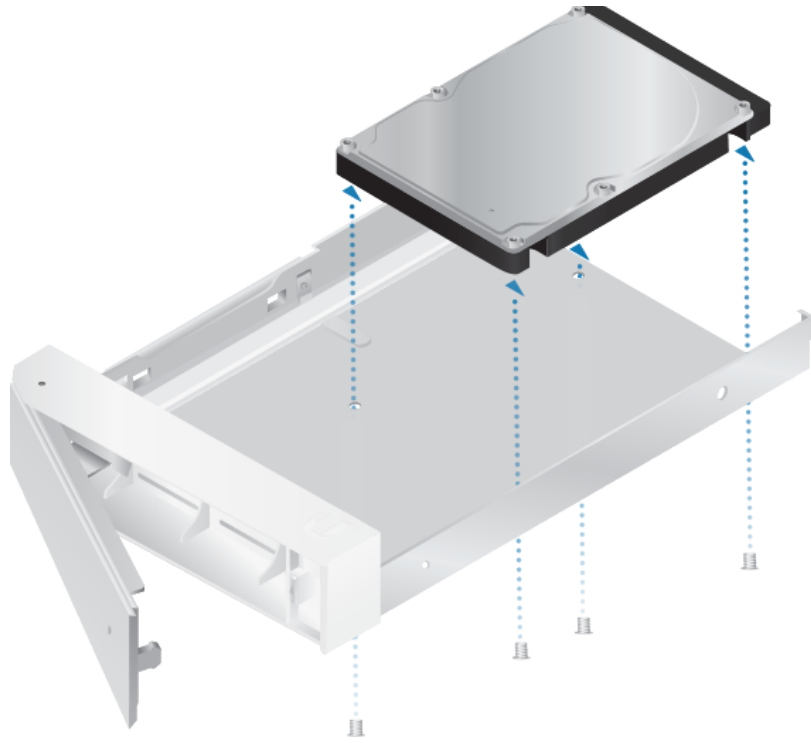


UDM-Pro Quick Start Guide





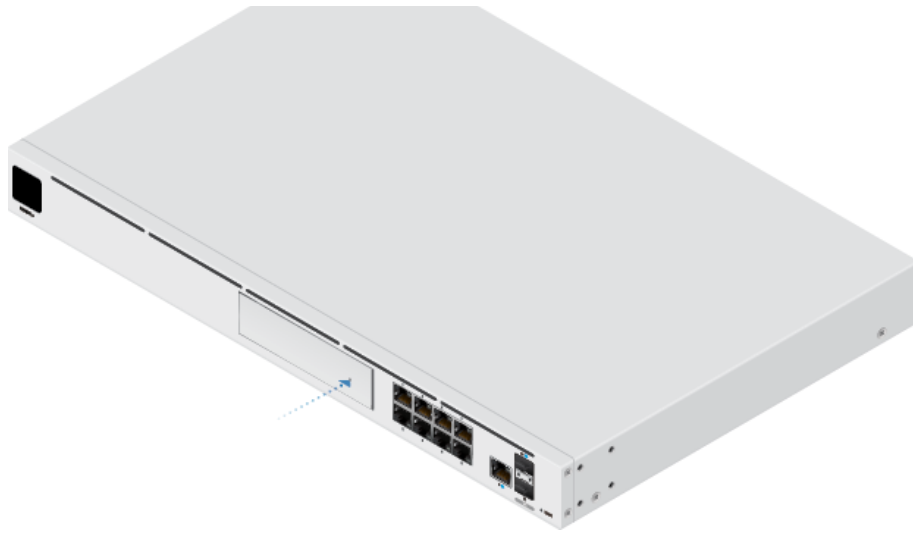
UDM-Pro Quick Start Guide



5.

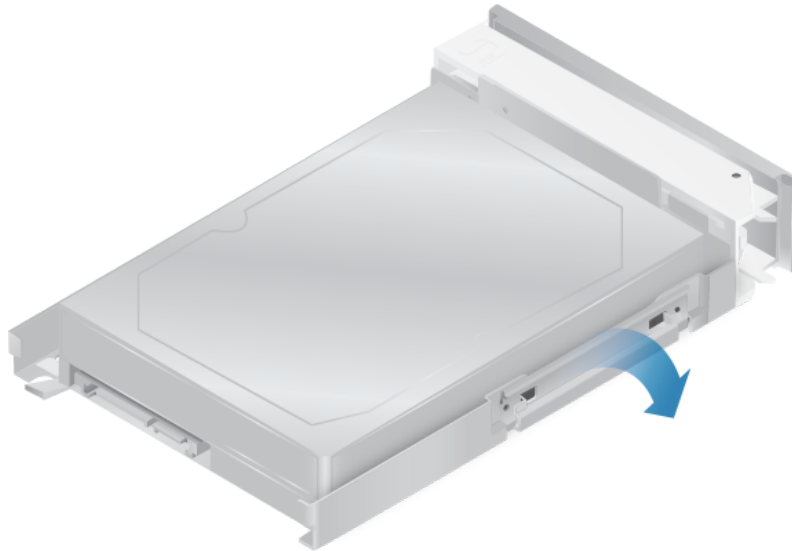


6.

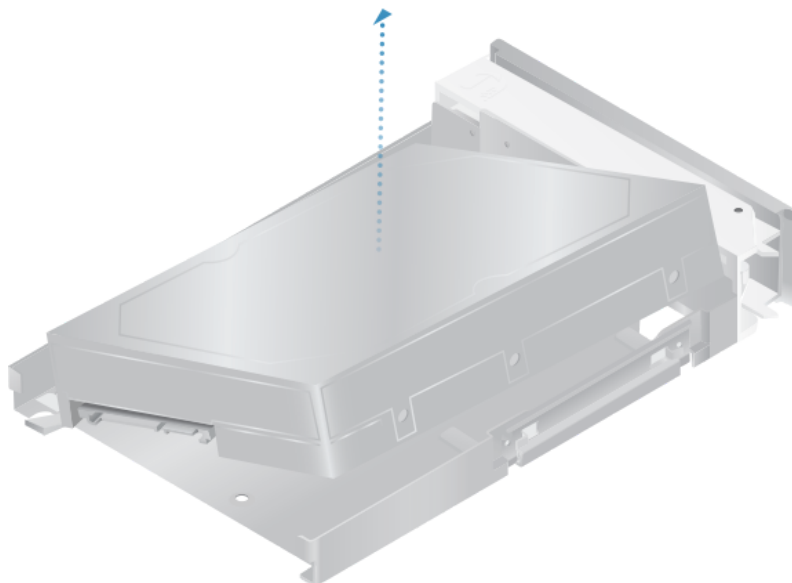


Removing an 3.5" HDD

1.



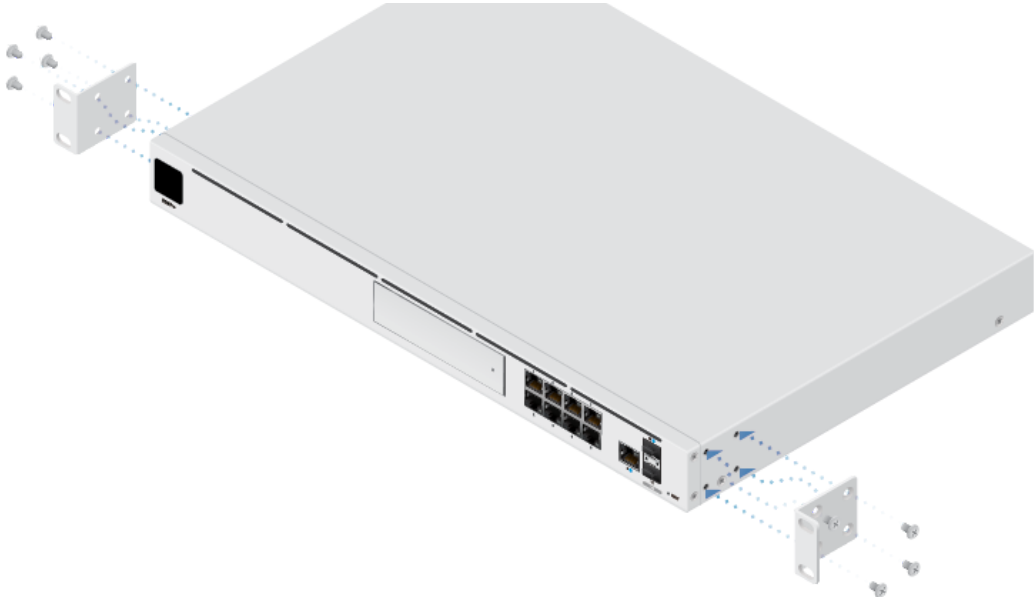
2.



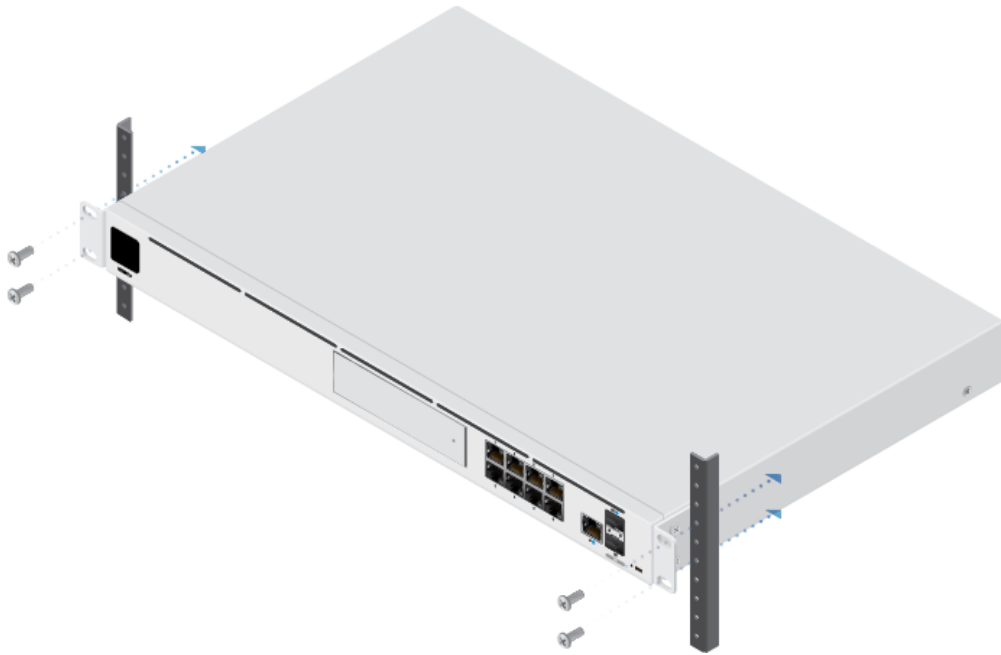
Hardware Installation



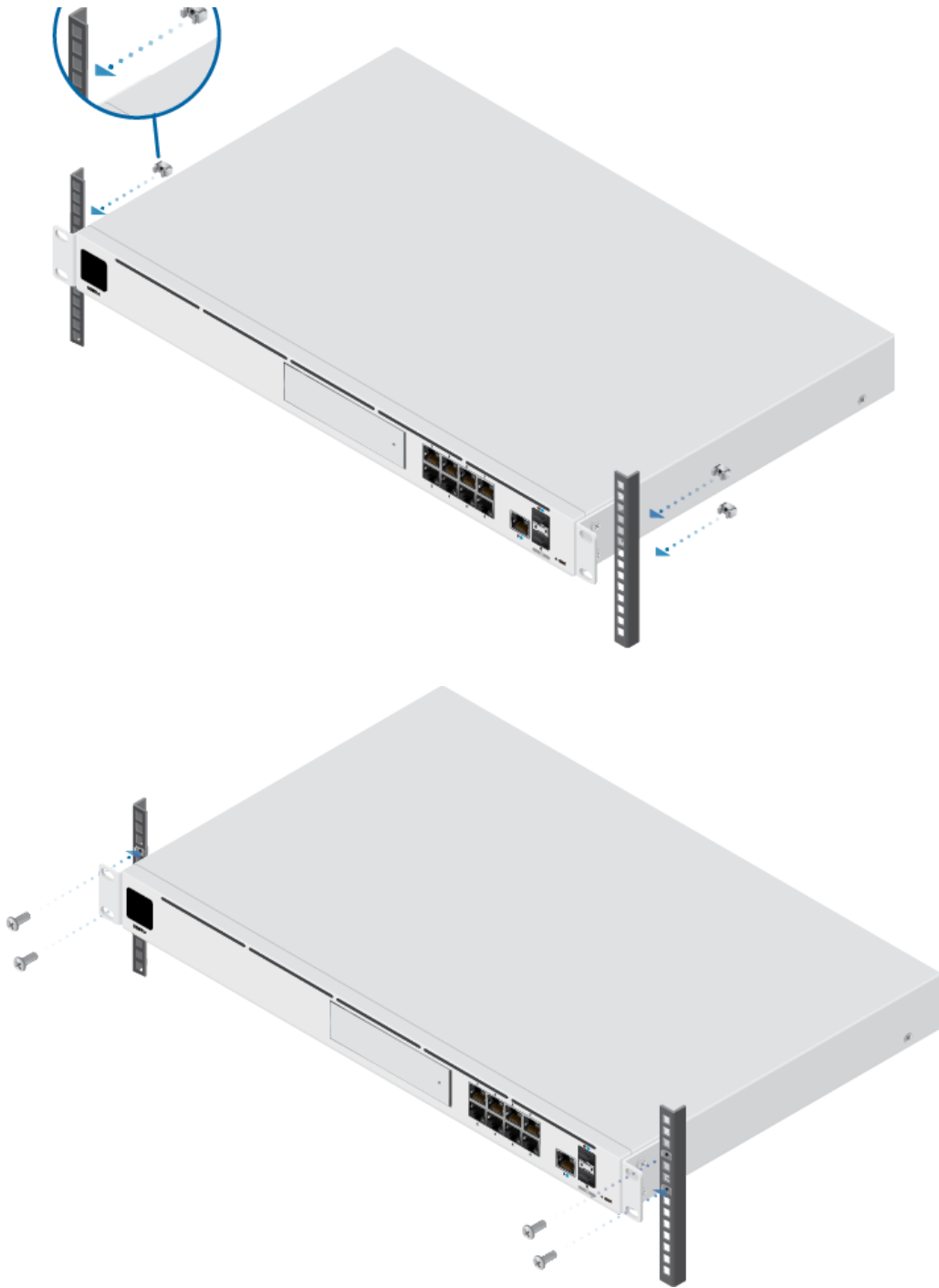
UDM-Pro Quick Start Guide



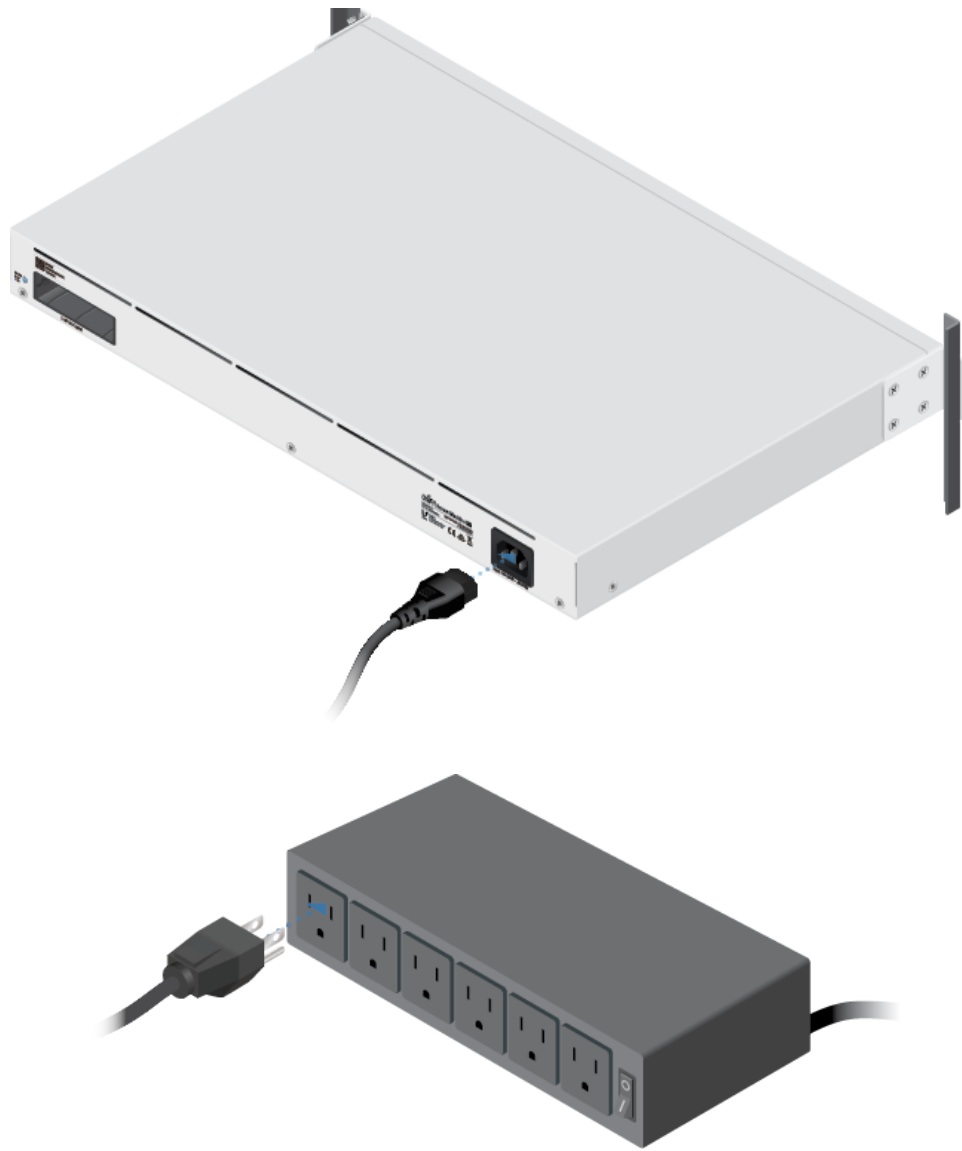
2.



OR



Connecting Power

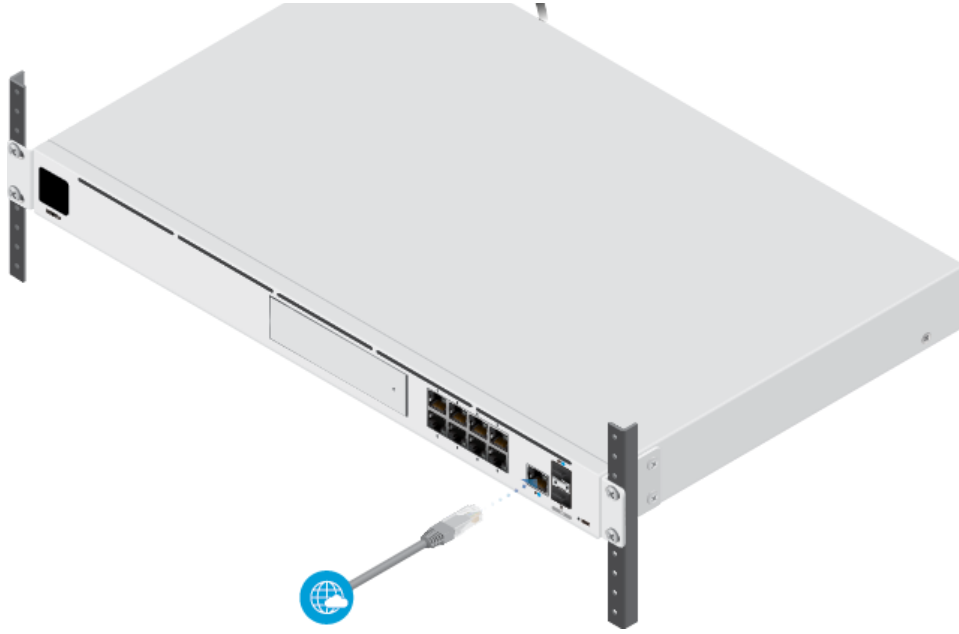


Connecting to the Internet

For information about compatible fiber SFP modules, visit:
ubnt.link/UniFi_SFP_DAC_Compatibility



UDM-Pro Quick Start Guide



OR



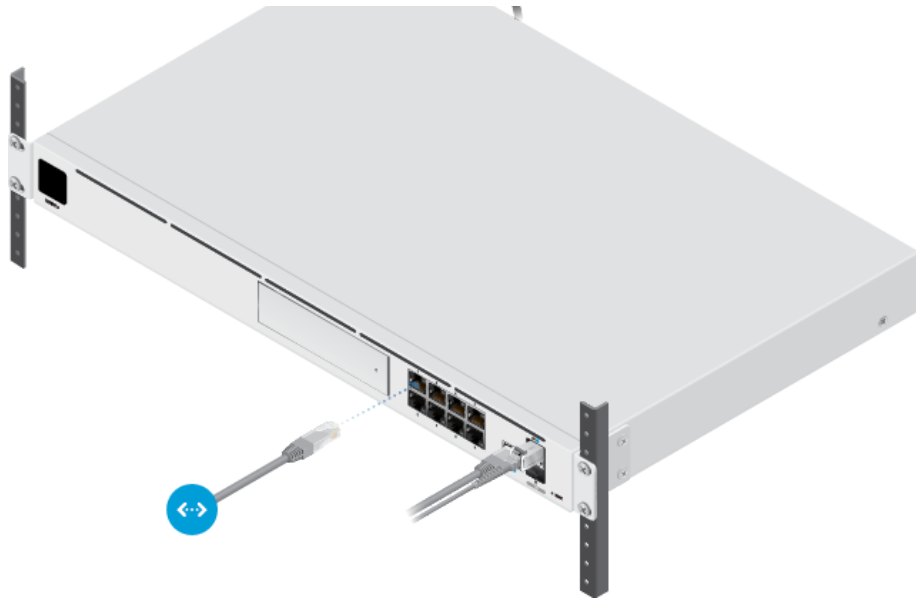


Connecting to the LAN

- 1.



UDM-Pro Quick Start Guide



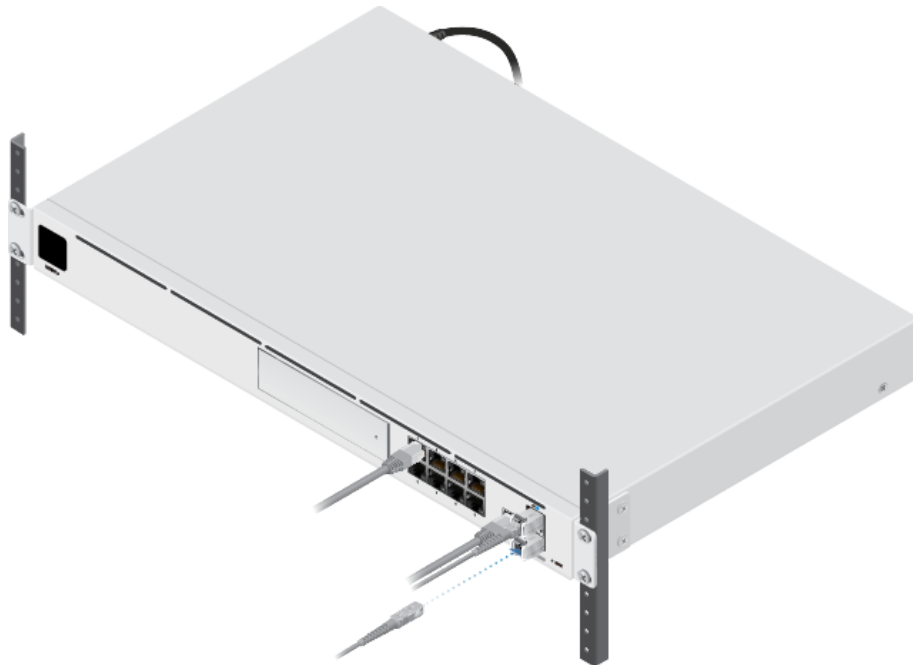
2.



3.



4.



Configuration

You have the following options:

- Enable Bluetooth on your mobile device and use the UniFi Network app.
- Use a computer connected to the UDM-Pro on a LAN port. Go to [“Chrome Instructions”](#).

UniFi Network App

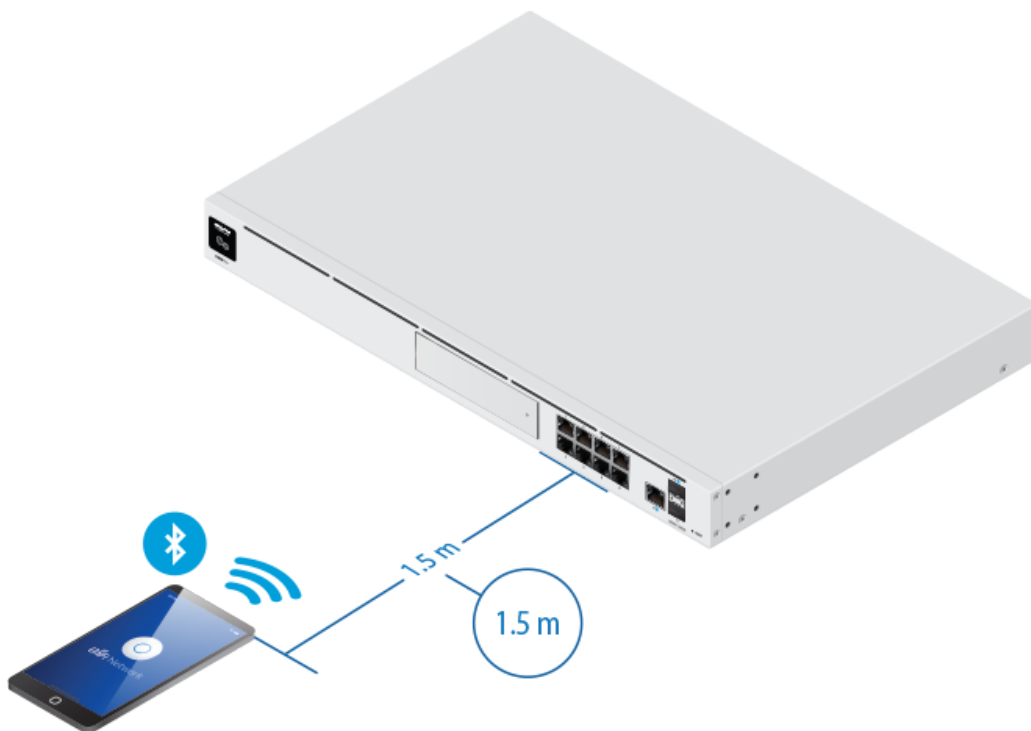
1.



UDM-Pro Quick Start Guide



2.



3. Follow the on-screen instructions.

Chrome Instructions

Use the Chrome web browser to set up your device.

1. Ensure that your host system is on the same Layer 2 network as the UDM-Pro.
2. Launch the Chrome web browser and go to <https://setup.ui.com>

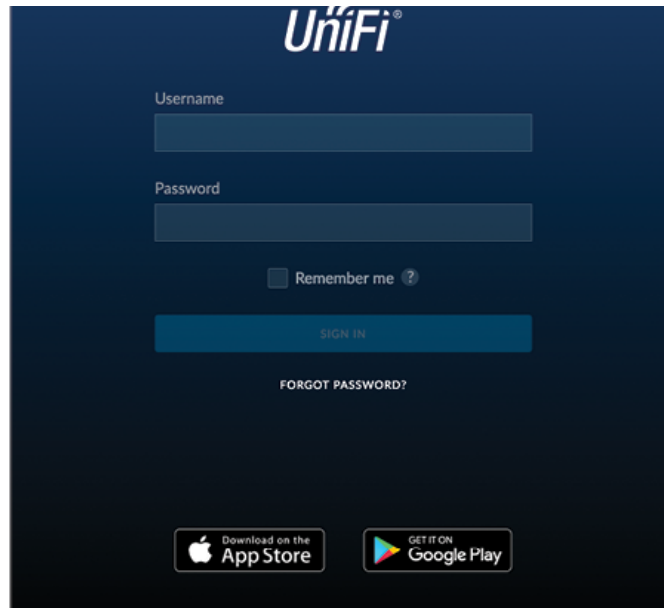


3. Follow the on-screen instructions of the Setup Wizard.

After you run the UniFi Setup Wizard, a login screen will appear for the UniFi Network Controller management interface. Enter the Username and Password that you created in the UniFi Setup Wizard. Then click Sign in.



UDM-Pro Quick Start Guide



You can manage your network and view network statistics using the UniFi Network Controller management interface. For information on using the UniFi Network Controller software, refer to the User Guide located on our website at: ui.com/download/unifi

Specifications

UDM-Pro	
Dimensions	442.4 x 43.7 x 285.6 mm (17.42 x 1.72 x 11.24")
Weight	3.90 kg (8.60 lb)
With Mount Brackets	3.99 kg (8.80 lb)
Interfaces	
Networking	(8) 10/100/1000 RJ45 LAN Ports (1) 10/100/1000 RJ45 WAN Ports (1) 1/10G SFP+ LAN Port (1) 1/10G SFP+ WAN Port
Management	Ethernet In-Band (1) Bluetooth BLE
Max. Power Consumption	33W
Power Method	(1) Universal AC Input, 100 to 240VAC (1) RPS DC Input
Power Supply	Internal 50W/12V
Supported Voltage Range	100 - 240VAC
Display	1.3" Color Touch Panel
LED	
System	Status
HDD	Activity

SFP+	Link/Speed/Activity
Processor	Quad ARM Cortex-A57 Core at 1.7 GHz
System Memory	4 GB DDR4
On-Board Flash Storage	16 GB eMMC
Operating Temperature	-10 to 40° C (14 to 104° F)
Operating Humidity	5 to 95% Noncondensing
Certifications	CE, FCC, IC

Safety Notices

1. Read, follow, and keep these instructions.
2. Heed all warnings.
3. Only use attachments/accessories specified by the manufacturer.



WARNING: Do not use this product in location that can be submerged by water.



WARNING: Avoid using this product during an electrical storm. There may be a remote risk of electric shock from lightning.

Electrical Safety Information

1. Compliance is required with respect to voltage, frequency, and current requirements indicated on the manufacturer's label. Connection to a different power source than those specified may result in improper operation, damage to the equipment or pose a fire hazard if the limitations are not followed.
2. There are no operator serviceable parts inside this equipment. Service should be provided only by a qualified service technician.
3. This equipment is provided with a detachable power cord which has an integral safety ground wire intended for connection to a grounded safety outlet.
 - a. Do not substitute the power cord with one that is not the provided approved type. Never use an adapter plug to connect to a 2-wire outlet as this will defeat the continuity of the grounding wire.
 - b. The equipment requires the use of the ground wire as a part of the safety certification, modification or misuse can provide a shock hazard that can result in serious injury or death.
 - c. Contact a qualified electrician or the manufacturer if there are questions about the installation prior to connecting the equipment.
 - d. Protective earthing is provided by Listed AC adapter. Building installation shall provide appropriate short-circuit backup protection.
 - e. Protective bonding must be installed in accordance with local national wiring rules and regulations.

Limited Warranty

The limited warranty requires the use of arbitration to resolve disputes on an individual basis, and, where applicable, specify arbitration instead of jury trials or class actions.

Compliance

FCC

Changes or modifications not expressly approved by the party responsible for compliance could void the user's authority to operate the equipment.

This device complies with Part 15 of the FCC Rules. Operation is subject to the following two conditions.

1. This device may not cause harmful interference, and
2. This device must accept any interference received, including interference that may cause undesired operation.

This equipment has been tested and found to comply with the limits for a Class A digital device, pursuant to part 15 of the FCC Rules. These limits are designed to provide reasonable protection against harmful interference when the equipment is operated in a commercial environment. This equipment generates, uses, and can radiate radio frequency energy and, if not installed and used in accordance with the instruction manual, may cause harmful interference to radio communications. Operations of this equipment in a residential area is likely to cause harmful interference in which case the user will be required to correct the interference at his own expense.

This radio transmitter has been approved by FCC.

ISED Canada

CAN ICES-3(A)/NMB-3(A)

This device complies with ISED Canada licence-exempt RSS standard(s). Operation is subject to the following two conditions:

1. This device may not cause interference, and
2. This device must accept any interference, including interference that may cause undesired operation of the device.

This radio transmitter has been approved by ISED Canada.

CAN ICES-3(A)/NMB-3(A)

Le présent appareil est conforme aux CNR d'ISDE Canada applicables aux appareils radio exempts de licence. L'exploitation est autorisée aux deux conditions suivantes :

1. l'appareil ne doit pas produire de brouillage;
2. l'appareil doit accepter tout brouillage radioélectrique subi, même si le brouillage est susceptible d'en compromettre le fonctionnement.

Le présent émetteur radio a été approuvé par ISDE Canada.

IMPORTANT NOTE

Radiation Exposure Statement



UDM-Pro Quick Start Guide

- This equipment should be installed and operated with minimum distance 20 cm between the radiator and your body.
- This transmitter must not be co-located or operating in conjunction with any other antenna or transmitter.

AVIS IMPORTANT

Déclaration sur l'exposition aux rayonnements

- Cet équipement est conforme aux limites prévues pour l'exposition aux rayonnements dans un environnement non contrôlé.
- Lors de l'installation et de la mise en fonctionnement de l'équipement, assurez-vous qu'il y ait une distance minimale de 20 cm entre l'élément rayonnant et vous.
- Cet émetteur ne doit être installé à proximité d'aucune autre antenne ni d'aucun autre émetteur, et ne doit être utilisé conjointement à aucun autre de ces appareils.

Australia and New Zealand



Warning: This equipment is compliant with Class A of CISPR 32. In a residential environment this equipment may cause radio interference.

Brazil



Nota: Este equipamento não tem direito à proteção contra interferência prejudicial e não pode causar interferência em sistemas devidamente autorizados.

CE Marking

CE marking on this product represents the product is in compliance with all directives that are applicable to it.



Country List



AT	BE	BG	CY	CZ	DE	DK	EE	EL	ES	FI	FR	HR	HU
IE	IT	LV	LT	LU	MT	NL	PL	PT	RO	SE	SI	SK	UK

BFWA (Broadband Fixed Wireless Access) members noted in blue



Note: This device meets Max. TX power limit per ETSI regulations.

The following apply to products that operate in the 5 GHz frequency range:



Note: This device is restricted to indoor use only when operating in the 5150 - 5350 MHz frequency range within all member states.



Note: Operation in the 5.8 GHz frequency band is prohibited in BFWA member states. Other countries listed may use the 5.8 GHz frequency band.

WEEE Compliance Statement

Declaration of Conformity

Online Resources

